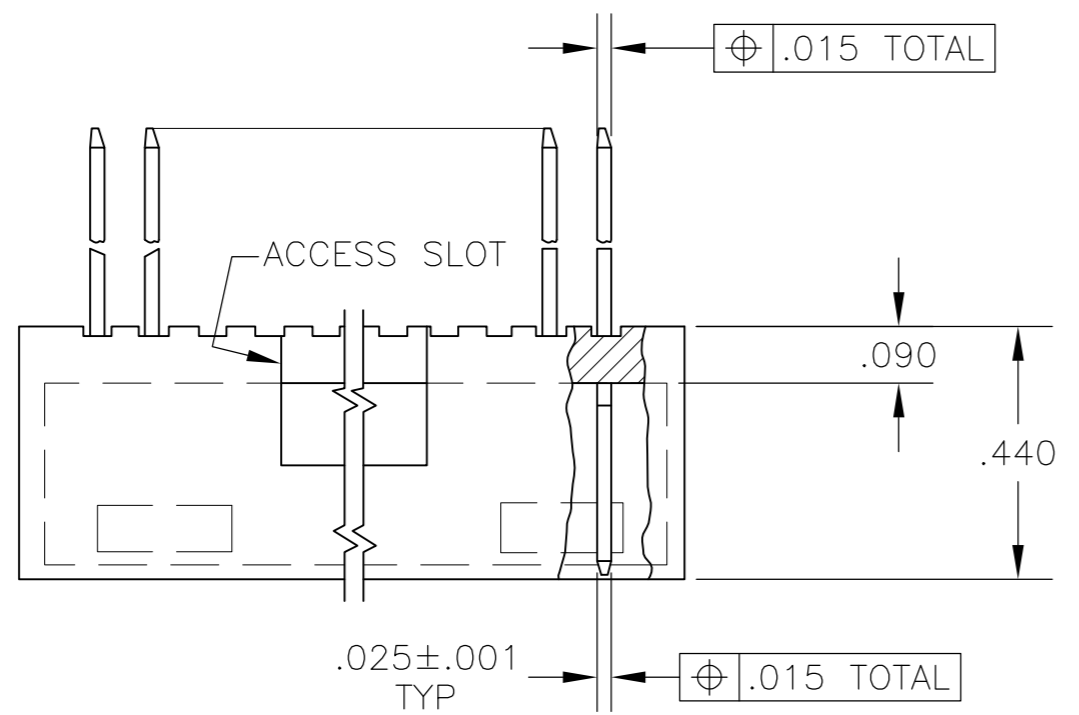
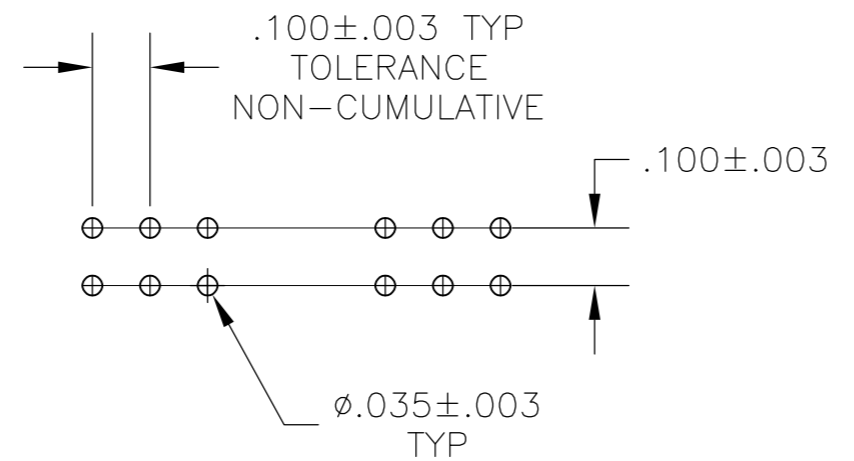
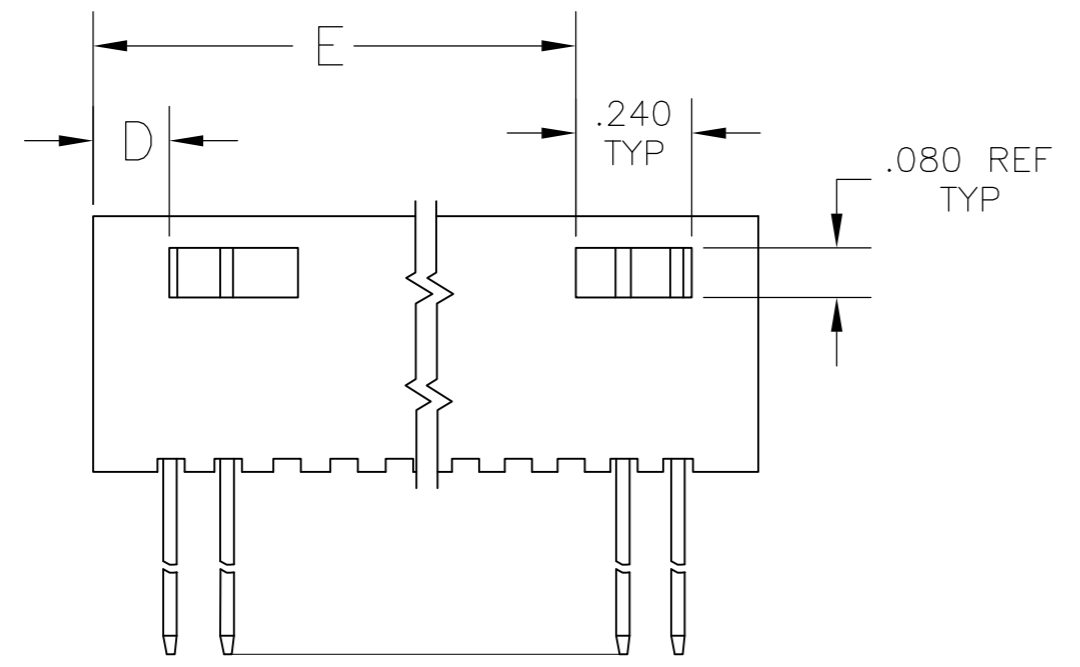
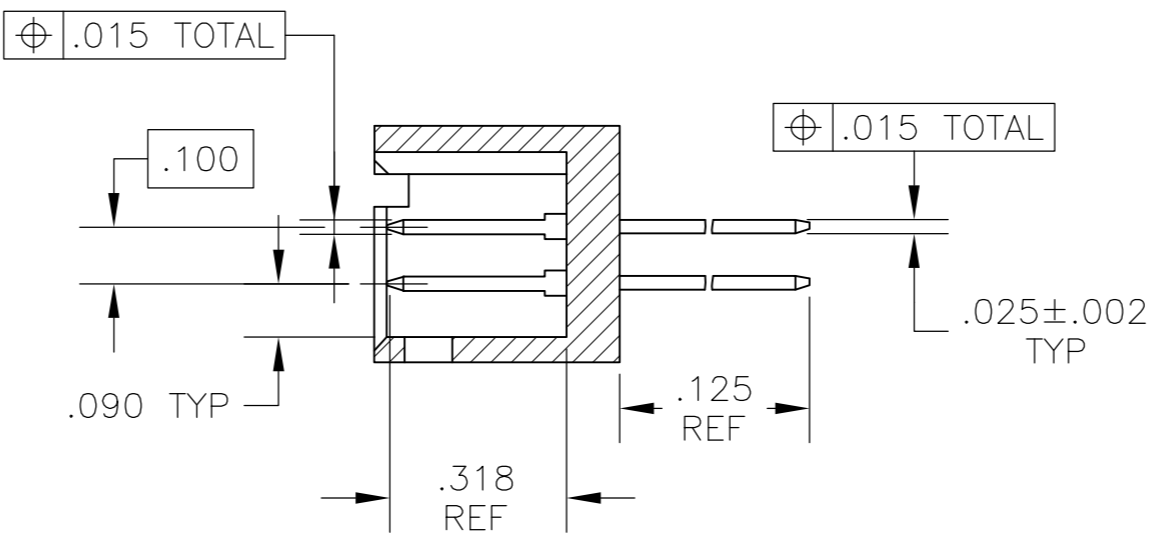
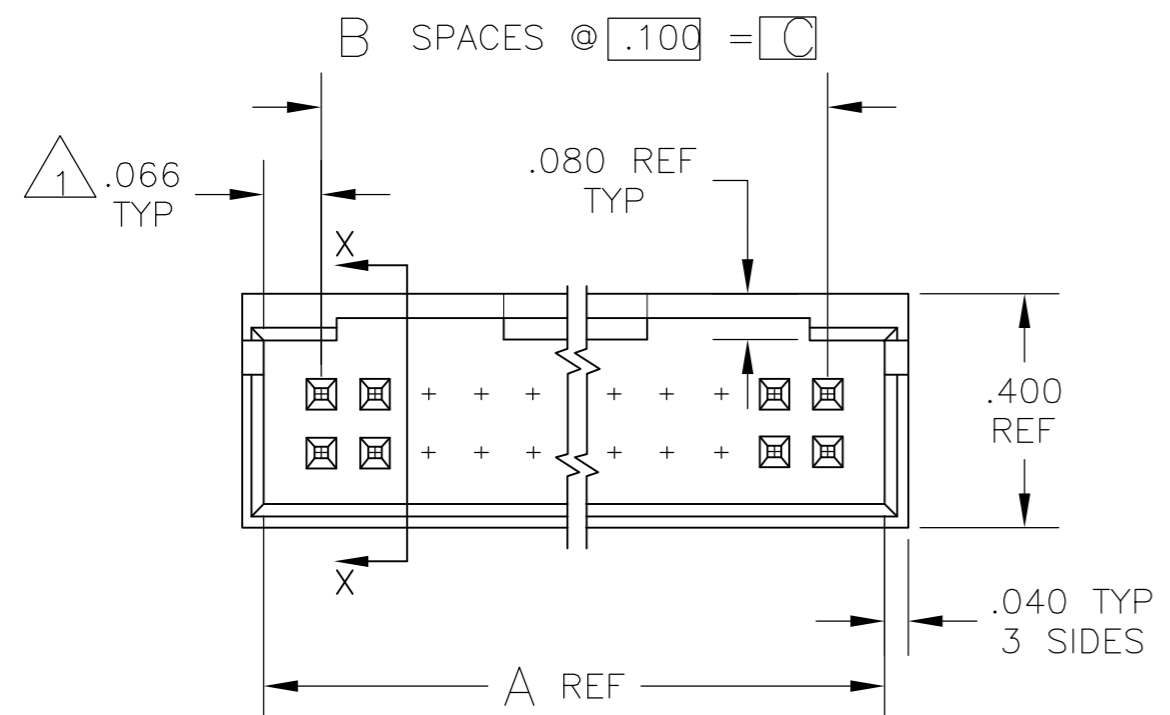


THIS DRAWING IS UNPUBLISHED. RELEASED FOR PUBLICATION
 © COPYRIGHT - By - ALL RIGHTS RESERVED.

| LOC | | DIST | | REVISIONS | | | |
|-----|-----|-------------|---------------------------|-----------|------|-----|--|
| P | LTR | DESCRIPTION | DATE | DWN | APVD | | |
| | | R2 | REVISED PER ECO-11-004587 | 11MAR11 | RK | HMR | |



- 1 WILL ALSO MATE W/OTHER CONNECTORS WHICH ARE COMPATIBLE WITH THE $.006$ END DIM.
- 2 OBSOLETE PART NUMBER.
- 3 $.000100$ -. 000200 BRIGHT TIN-LEAD OVER $.000050$ NICKEL
- 4 $.000100$ -. 000200 BRIGHT TIN OVER $.000050$ -. 000100 NICKEL
- 5 PRELIMINARY PART.
- 6 $.000100$ -. 000200 MATTE TIN OVER $.000050$ -. 000100 NICKEL
- 7 OBSOLETE PARTS: OBSOLETE CIS STREAMLINING PER D.RENAUD/D.SINISI



| | | | | | | | |
|--|--|-------------------|-----------|--------|---|------------|---------------|
| THIS DRAWING IS A CONTROLLED DOCUMENT. | | DWN | 12 SEP 75 | | TE Connectivity | | |
| DIMENSIONS: INCHES | | CHK | 12 SEP 75 | | NAME | | |
| TOLERANCES UNLESS OTHERWISE SPECIFIED: | | APVD | 15 SEP 75 | | HEADER ASSEMBLY MOD II, $.100$ C/L $.025$ SQUARE POST, WITH DETENT | | |
| 0 PLC $\pm -$ 1 PLC $\pm -$ 2 PLC $\pm -$ 3 PLC $\pm .005$ 4 PLC $\pm -$ ANGLES $\pm -$ | | PRODUCT SPEC | | SIZE | CAGE CODE | DRAWING NO | RESTRICTED TO |
| MATERIAL: HSG: GLASS FILLED NYLON, COLOR: BLACK, CONTACT: PHOS BRONZE | | FINISH: SEE TABLE | | WEIGHT | A2 | 00779 | C=87589 |
| CUSTOMER DRAWING | | | | SCALE | 3:1 | SHEET | 1 of 2 |
| | | | | REV | R2 | | |

THIS DRAWING IS UNPUBLISHED. RELEASED FOR PUBLICATION
 © COPYRIGHT - By - ALL RIGHTS RESERVED.

| LOC | DIST | REVISIONS | | | | | |
|-----|------|-----------|-----|-------------|------|-----|------|
| AD | 00 | P | LTR | DESCRIPTION | DATE | DWN | APVD |
| | | - | | SEE SHEET 1 | | - | - |

| FINISH | E | D | C | B | A | NO OF POSN. | PART NO. |
|--------|------|-------|----|-------|----|-------------|----------|
| - | .106 | .200 | 2 | .332 | 6 | 8-87589-6 | |
| - | .106 | .300 | 3 | .432 | 8 | 8-87589-5 | |
| 3.506 | .106 | 3.600 | 36 | 3.732 | 74 | 8-87589-3 | |
| 3.406 | .106 | 3.500 | 35 | 3.632 | 72 | 8-87589-2 | |
| 3.306 | .106 | 3.400 | 34 | 3.532 | 70 | 8-87589-1 | |
| 3.206 | .106 | 3.300 | 33 | 3.432 | 68 | 8-87589-0 | |
| 3.106 | .106 | 3.200 | 32 | 3.332 | 66 | 7-87589-9 | |
| 3.006 | .106 | 3.100 | 31 | 3.232 | 64 | 7-87589-8 | |
| 2.906 | .106 | 3.000 | 30 | 3.132 | 62 | 7-87589-7 | |
| 2.806 | .106 | 2.900 | 29 | 3.032 | 60 | 7-87589-6 | |
| 2.706 | .106 | 2.800 | 28 | 2.932 | 58 | 7-87589-5 | |
| 2.606 | .106 | 2.700 | 27 | 2.832 | 56 | 7-87589-4 | |
| 2.506 | .106 | 2.600 | 26 | 2.732 | 54 | 7-87589-3 | |
| 2.406 | .106 | 2.500 | 25 | 2.632 | 52 | 7-87589-2 | |
| 2.306 | .106 | 2.400 | 24 | 2.532 | 50 | 7-87589-1 | |
| 2.206 | .106 | 2.300 | 23 | 2.432 | 48 | 7-87589-0 | |
| 2.106 | .106 | 2.200 | 22 | 2.332 | 46 | 6-87589-9 | |
| 2.006 | .106 | 2.100 | 21 | 2.232 | 44 | 6-87589-8 | |
| 1.906 | .106 | 2.000 | 20 | 2.132 | 42 | 6-87589-7 | |
| 1.806 | .106 | 1.900 | 19 | 2.032 | 40 | 6-87589-6 | |
| 1.706 | .106 | 1.800 | 18 | 1.932 | 38 | 6-87589-5 | |
| 1.606 | .106 | 1.700 | 17 | 1.832 | 36 | 6-87589-4 | |
| 1.506 | .106 | 1.600 | 16 | 1.732 | 34 | 6-87589-3 | |
| 1.406 | .106 | 1.500 | 15 | 1.632 | 32 | 6-87589-2 | |
| 1.306 | .106 | 1.400 | 14 | 1.532 | 30 | 6-87589-1 | |
| 1.206 | .106 | 1.300 | 13 | 1.432 | 28 | 6-87589-0 | |
| 1.106 | .106 | 1.200 | 12 | 1.332 | 26 | 5-87587-9 | |
| 1.006 | .106 | 1.100 | 11 | 1.232 | 24 | 5-87589-8 | |
| .906 | .106 | 1.000 | 10 | 1.132 | 22 | 5-87589-7 | |
| .806 | .106 | .900 | 9 | 1.032 | 20 | 5-87589-6 | |
| - | .406 | .800 | 8 | .932 | 18 | 5-87589-5 | |
| - | .306 | .700 | 7 | .832 | 16 | 5-87589-4 | |
| - | .306 | .600 | 6 | .732 | 14 | 5-87589-3 | |
| - | .206 | .500 | 5 | .632 | 12 | 5-87589-2 | |
| - | .206 | .400 | 4 | .532 | 10 | 5-87589-1 | |

△7 OBSOLETE
 △7 OBSOLETE
 △7 OBSOLETE
 △7 OBSOLETE
 △7 OBSOLETE
 △7 OBSOLETE

△6

△7 OBSOLETE
 △7 OBSOLETE
 △7 OBSOLETE
 △7 OBSOLETE
 △7 OBSOLETE
 △7 OBSOLETE

△7 SUPERCEDED BY 6-87589-4

| FINISH | E | D | C | B | A | NO OF POSN. | PART NO. | |
|--------|----|-------|------|-------|----|-------------|----------|-----------|
| △5 | △4 | 1.306 | .106 | 1.400 | 14 | 1.532 | 30 | 3-87589-9 |
| | △4 | - | .406 | .800 | 8 | .932 | 18 | 3-87589-8 |
| | △4 | - | .306 | .700 | 7 | .832 | 16 | 3-87589-7 |
| | | - | .106 | .200 | 2 | .332 | 6 | 3-87589-6 |
| | | - | .106 | .300 | 3 | .432 | 8 | 3-87589-5 |
| | | 3.506 | .106 | 3.600 | 36 | 3.732 | 74 | 3-87589-3 |
| | | 3.406 | .106 | 3.500 | 35 | 3.632 | 72 | 3-87589-2 |
| | | 3.306 | .106 | 3.400 | 34 | 3.532 | 70 | 3-87589-1 |
| | | 3.206 | .106 | 3.300 | 33 | 3.432 | 68 | 3-87589-0 |
| | | 3.106 | .106 | 3.200 | 32 | 3.332 | 66 | 2-87589-9 |
| | | 3.006 | .106 | 3.100 | 31 | 3.232 | 64 | 2-87589-8 |
| | | 2.906 | .106 | 3.000 | 30 | 3.132 | 62 | 2-87589-7 |
| | | 2.806 | .106 | 2.900 | 29 | 3.032 | 60 | 2-87589-6 |
| | | 2.706 | .106 | 2.800 | 28 | 2.932 | 58 | 2-87589-5 |
| | | 2.606 | .106 | 2.700 | 27 | 2.832 | 56 | 2-87589-4 |
| | | 2.506 | .106 | 2.600 | 26 | 2.732 | 54 | 2-87589-3 |
| | | 2.406 | .106 | 2.500 | 25 | 2.632 | 52 | 2-87589-2 |
| | | 2.306 | .106 | 2.400 | 24 | 2.532 | 50 | 2-87589-1 |
| | | 2.206 | .106 | 2.300 | 23 | 2.432 | 48 | 2-87589-0 |
| | △3 | 2.106 | .106 | 2.200 | 22 | 2.332 | 46 | 1-87589-9 |
| | | 2.006 | .106 | 2.100 | 21 | 2.232 | 44 | 1-87589-8 |
| | | 1.906 | .106 | 2.000 | 20 | 2.132 | 42 | 1-87589-7 |
| | | 1.806 | .106 | 1.900 | 19 | 2.032 | 40 | 1-87589-6 |
| | | 1.706 | .106 | 1.800 | 18 | 1.932 | 38 | 1-87589-5 |
| | | 1.606 | .106 | 1.700 | 17 | 1.832 | 36 | 1-87589-4 |
| | | 1.506 | .106 | 1.600 | 16 | 1.732 | 34 | 1-87589-3 |
| | | 1.406 | .106 | 1.500 | 15 | 1.632 | 32 | 1-87589-2 |
| | | 1.306 | .106 | 1.400 | 14 | 1.532 | 30 | 1-87589-1 |
| | | 1.206 | .106 | 1.300 | 13 | 1.432 | 28 | 1-87589-0 |
| | | 1.106 | .106 | 1.200 | 12 | 1.332 | 26 | 87587-9 |
| | | 1.006 | .106 | 1.100 | 11 | 1.232 | 24 | 87589-8 |
| | | .906 | .106 | 1.000 | 10 | 1.132 | 22 | 87589-7 |
| | | .806 | .106 | .900 | 9 | 1.032 | 20 | 87589-6 |
| | | - | .406 | .800 | 8 | .932 | 18 | 87589-5 |
| | | - | .306 | .700 | 7 | .832 | 16 | 87589-4 |
| | | - | .306 | .600 | 6 | .732 | 14 | 87589-3 |
| | | - | .206 | .500 | 5 | .632 | 12 | 87589-2 |
| | | - | .206 | .400 | 4 | .532 | 10 | 87589-1 |

THIS DRAWING IS A CONTROLLED DOCUMENT.

| | |
|------|-----------|
| DWN | 12 SEP 75 |
| CHK | 12 SEP 75 |
| APVD | 15 SEP 75 |

STE TE Connectivity

NAME: HEADER ASSEMBLY MOD II, .100 C/L
 .025 SQUARE POST, WITH DETENT

SIZE: A2 CAGE CODE: 00779 DRAWING NO: C-87589 RESTRICTED TO: -

MATERIAL: HSG: GLASS FILLED NYLON
 COLOR: BLACK
 CONTACT: PHOS BRONZE

FINISH: SEE TABLE

WEIGHT: -

CUSTOMER DRAWING SCALE: 1:1 SHEET: 2 of 2 REV: R2